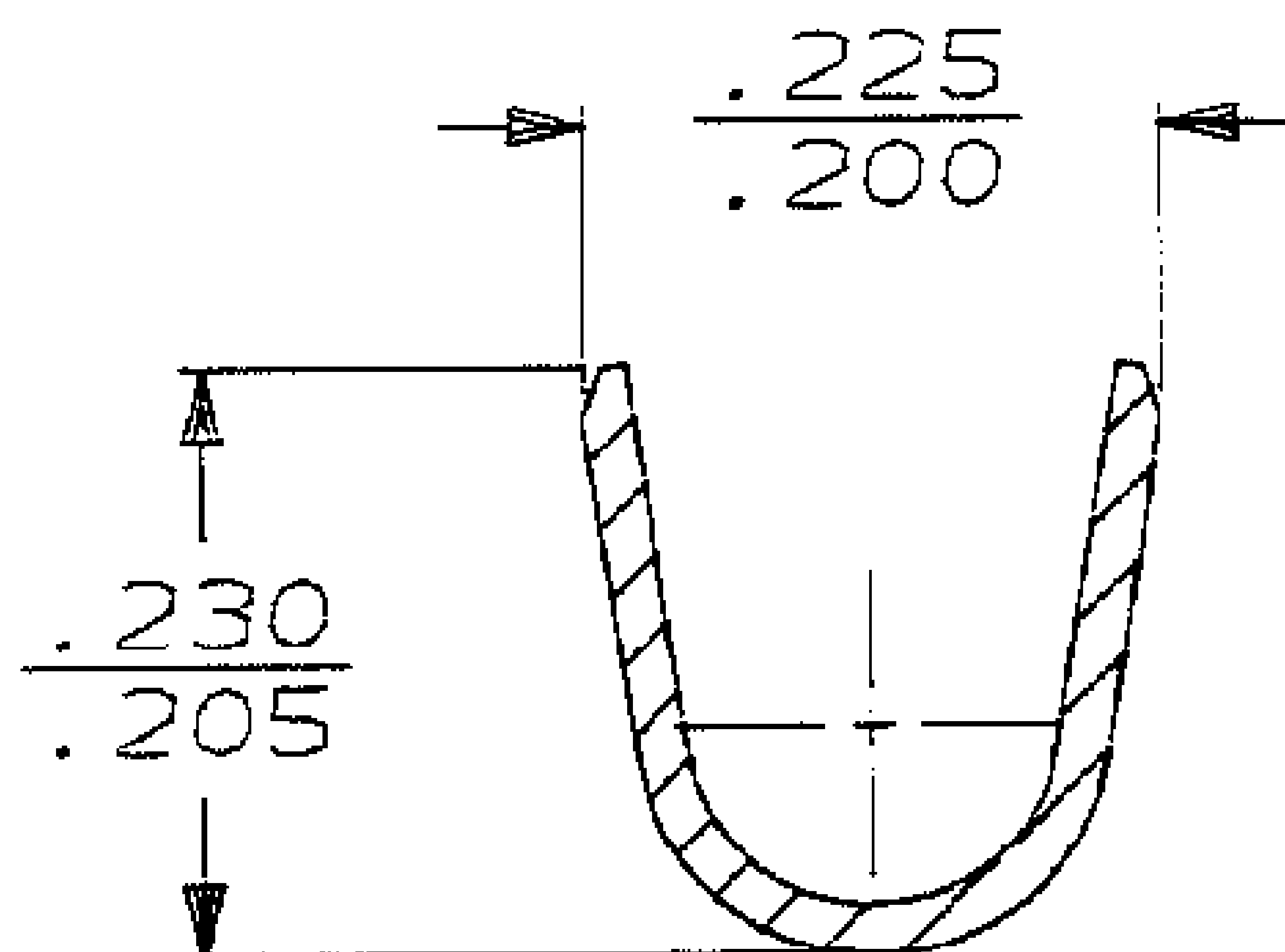
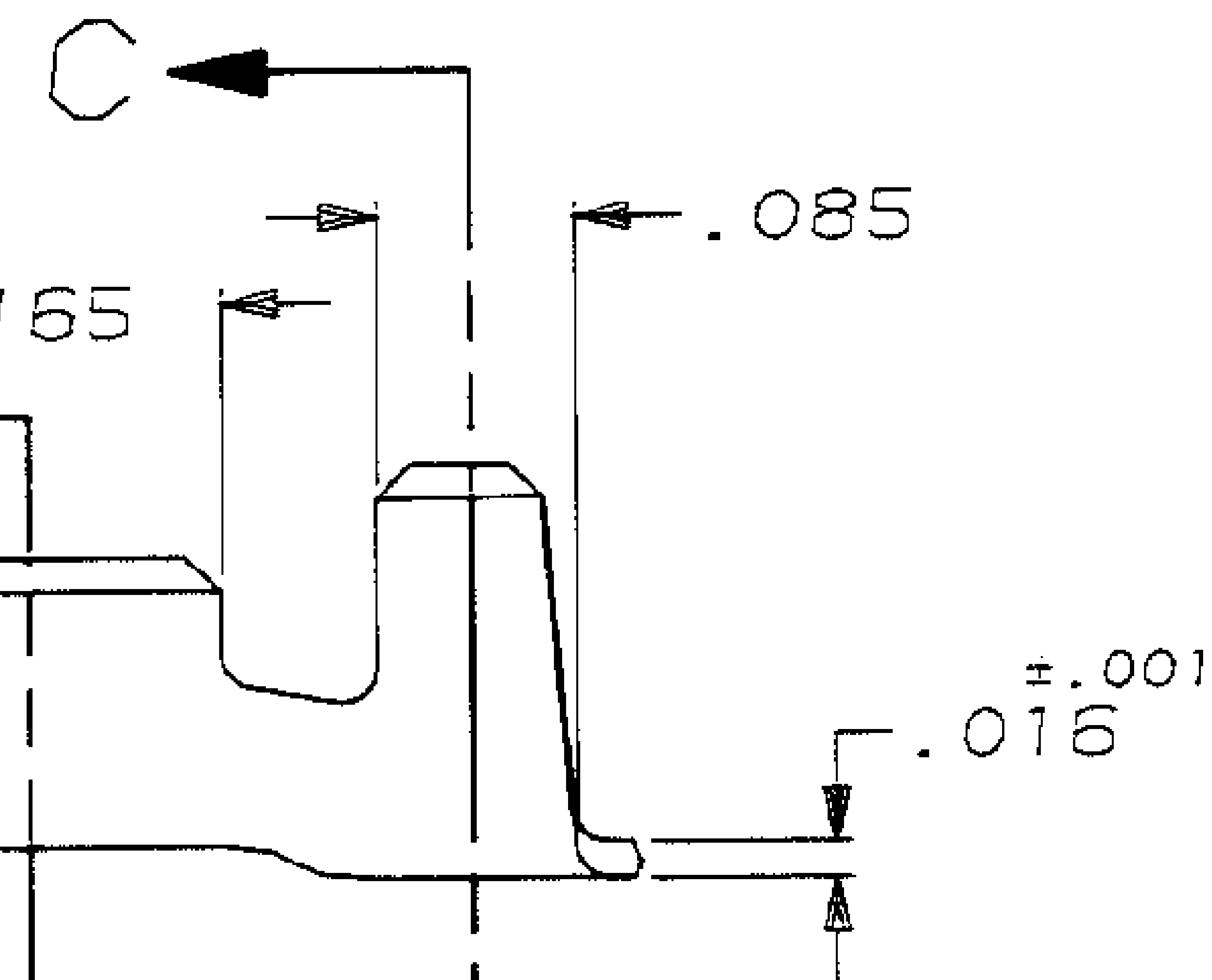


FITS .250 SERIES  
FASTON TAB

VIEW A-A



SECTION C-C

OBSOLETE

|        |                  |           |              |
|--------|------------------|-----------|--------------|
| TIN    | .120-.170        | 2000-4500 | 18-14 OR TWO |
| FINISH | INSULATION RANGE | CMA       | MAGNET WI    |
|        |                  |           | WIRE SIZE    |

DO NOT SCALE PRINT.  
UNLESS SPECIFIED  
DIMENSIONS ARE IN INCHES  
TOLERANCES ON:  
2 PLC DEC ± -  
3 PLC DEC ± .015  
ANGLES ± -

DR 5/18/90  
JR RUTH  
CHK 5/18/90  
MS FEHER  
APPD 5/18/90  
C MEYERS  
APPD 5/18/90